



VACUUM TECHNOLOGIES, INC.

The Experts in Vacuum Solutions

PRODUCT BULLETIN

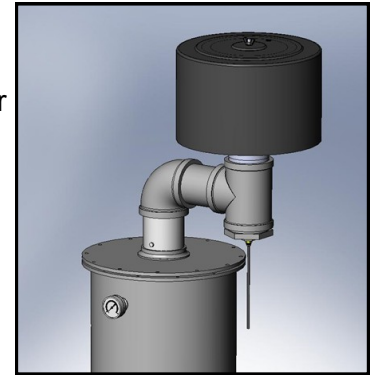
Special Filters

Call us today! 1-888-925-5444

Odor Removal Filter with Activated Carbon and Drip Leg

Features and Benefits

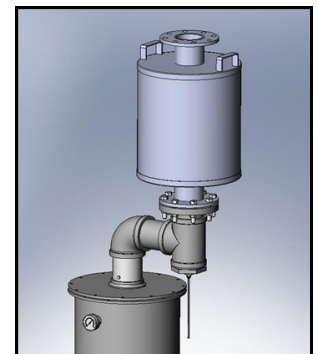
- Electrostatic Fibers - Actively attracts and holds airborne particles
- Superior Odor Adsorption - 50,000 times more efficient than standard activated carbon
- Highly adsorbent fiber surfaces provide excellent molecular filtration
- 70% + removal efficiency at 3 microns
- Heavy duty gauge base with bracket and specialized outlet pipe design for low pressure drop
- Durable carbon steel construction with baked enamel finish and powder coated weatherhood



2nd Stage Oil Mist Exhaust Filter with Drip Leg

Features and Benefits

- Captures oil fog, mist or smoke
- 99.97% efficient on 0.3 micron particles or larger
- Rugged all steel construction with backed enamel finish
- 1/2" drain tap standard
- Pleated filter element provides increased surface area for low back pressure and separation of ultra-fine oil mists.
- An in-line design which provides the customer the option to pipe the exhaust to a different location.





VACUUM TECHNOLOGIES, INC.

The Experts in Vacuum Solutions

PRODUCT BULLETIN

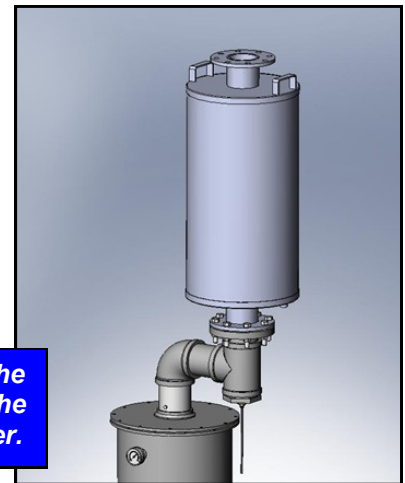
Special Filters

Call us today! 1-888-925-5444

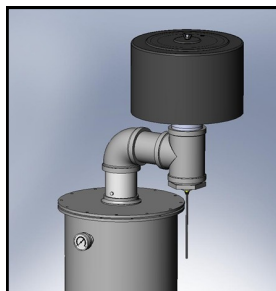
2nd Stage Oil Mist Exhaust Filter with Odor Removal Filter & Drip Leg

Features and Benefits

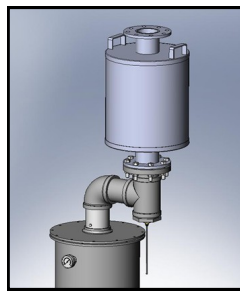
- Electrostatic Fibers—Actively attracts and holds airborne particles.
- Superior Odor Adsorption—50,000 times more efficient than standard activated carbon.
- Highly adsorbent fiber surfaces provide excellent molecular filtration
- Captures oil fog, mist or smoke.
- 99.97% efficient on 0.3 micron particles or larger.
- Rugged all steel construction with baked enamel finish.
- Pleated filter element provides increased surface area for low back pressure and separation of ultra-fine oil mists.
- An in-line design which provides the customer the option to pipe the exhaust to a different location.



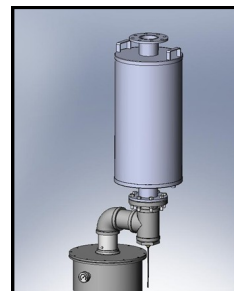
Combines all of the benefits of the odor removal discharge filter + the 2nd stage polishing exhaust filter.



Odor Removal



Oil Mist Polishing



Odor Removal + Oil Mist Polishing

Change Interval

- Every 1-2 years
- Based on back pressure