

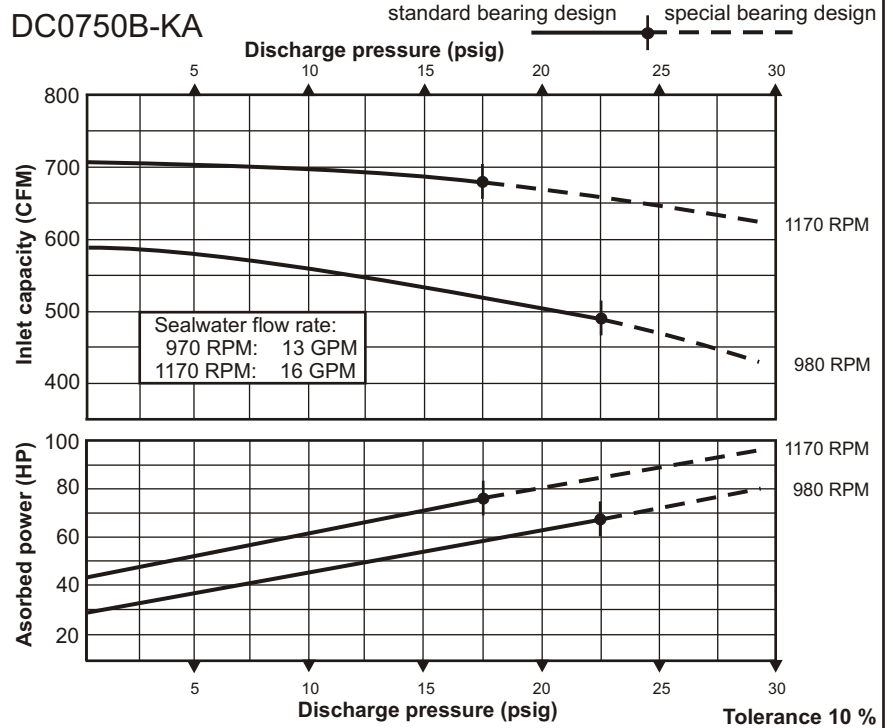
TITAN-C series *single-stage liquid ring compressors are the preferred choice for compressing contaminated and corrosive process gasses, because of their ability to handle saturated gas mixtures and small amounts of liquid carried over from the process.*

The unit offers the following design features:

- ◆ Supplies 100 % oil-free air.
- ◆ Designed for heavy duty applications.
- ◆ Heavy duty bearings mounted external to the pumping chamber.
- ◆ Features single face mechanical seals as standard.
- ◆ Virtually no maintenance is required.
- ◆ Pumps are available in different materials to suit your application.
- ◆ Only one moving part.
- ◆ Can operate using various seal-fluids.
- ◆ Manufactured to ISO 9001 standards.
- ◆ Low operating noise level.

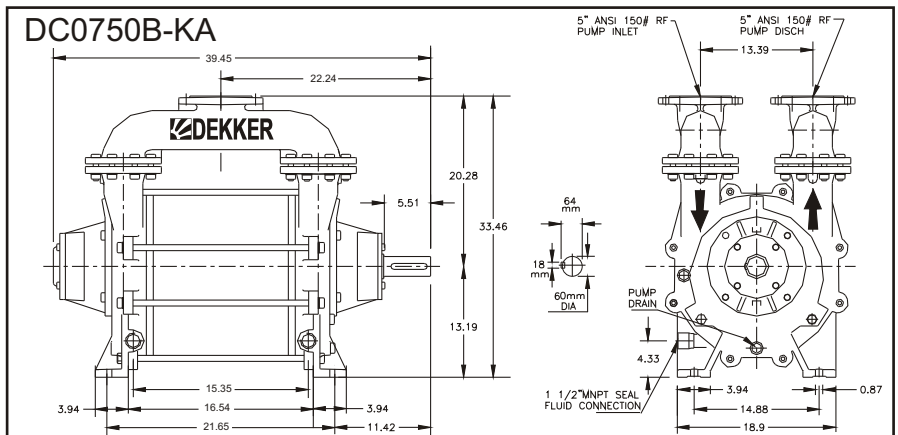


Performance characteristics
 Maximum capacity: 700CFM
 Motor max 50Hz: 55kW/75HP
 Motor 60Hz: 75kW/100HP
 Speed 50Hz: 980RPM
 Speed 60Hz: 1170RPM
 Max. pressure 50Hz: 29psig
 Max. pressure 60Hz: 26psig
 Weight (excluding motor): 880Lbs/400kg
 Max. gas inlet temperature: 212°F/100°C
Performance based on dry air, seal-water temperature 60°F and atmospheric pressure of 14.7psia/1.013barA



Materials of construction/Seal code				
Mat. code	1	2	3	4
Casing	cast iron	NA	cast iron	316 SS
Portplate	cast iron	NA	cast iron	316 SS
Impeller	duct.iron	NA	316 SS	316 SS
Shaft	420 SS	NA	420 SS	316 SS
Seal code	A*	NA	A*	B*

A= standard mechanical seal with Viton elastomer
 B= standard mechanical seal with Teflon elastomer
 * = other seal materials available upon request.



Dimensions (inches) not binding. Subject to change without notice. Companion flanges sold separately.