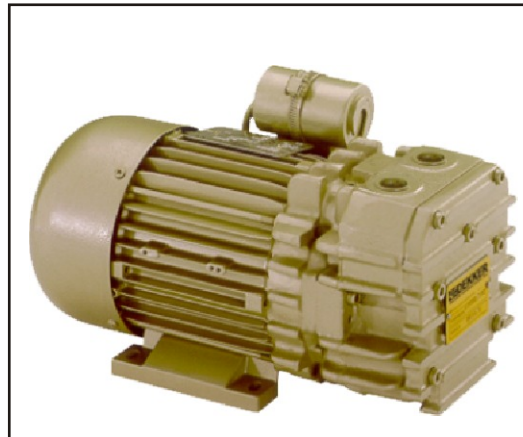


DuraVane oil-free rotary vane compressors are heavy-duty compact motor-mounted units, extremely reliable for many industrial applications. Efficient cooling is ensured by a powerful centrifugal fan.

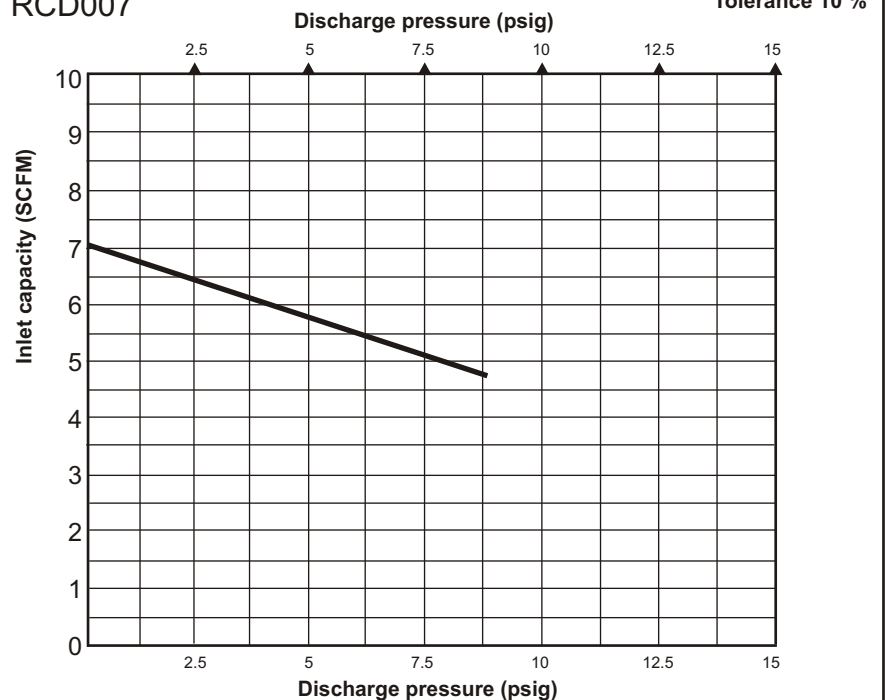
- Fewer vanes than other oil-free rotary vane compressors.
- High-tech, self-lubricating graphite composite vane material.
- Longer vane life and less vane replacement.
- Heavy-duty construction.
- Compact design, small footprint.
- Low noise level.
- Air-cooled design.
- Direct drive.
- Simple to install.



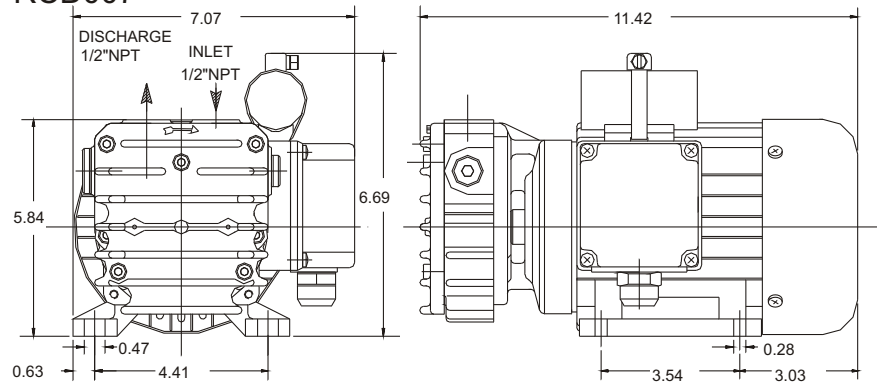
Performance characteristics

Displacement:	7CFM
Maximum Pressure:	8.8psig
Motor:	0.6HP/60HzTEFC
Voltage:	110V/1phase
Speed:	1800RPM
Noise level(at 3ft):	65dBA
Weight:	34Lbs
Inlet conn.:	1/2"NPT
Discharge conn.:	1/2"NPT

RCD007



RCD007



Information contained in this document is for reference only. Subject to change without notice.