

DuraVane oil-free rotary vane compressors are heavy-duty compact motor-mounted units, extremely reliable for many industrial applications. Efficient cooling is ensured by a powerful centrifugal fan.

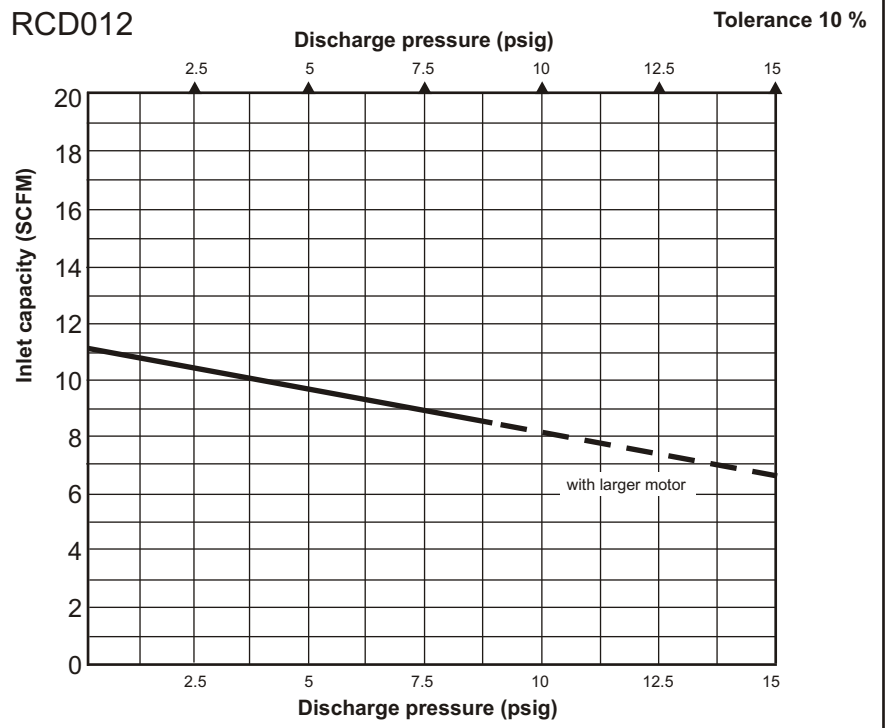
- Fewer vanes than other oil-free rotary vane compressors.
- High-tech, self-lubricating graphite composite vane material.
- Longer vane life and less vane replacement.
- Heavy-duty construction.
- Compact design, small footprint.
- Low noise level.
- Air-cooled design.
- Direct drive.
- Simple to install.



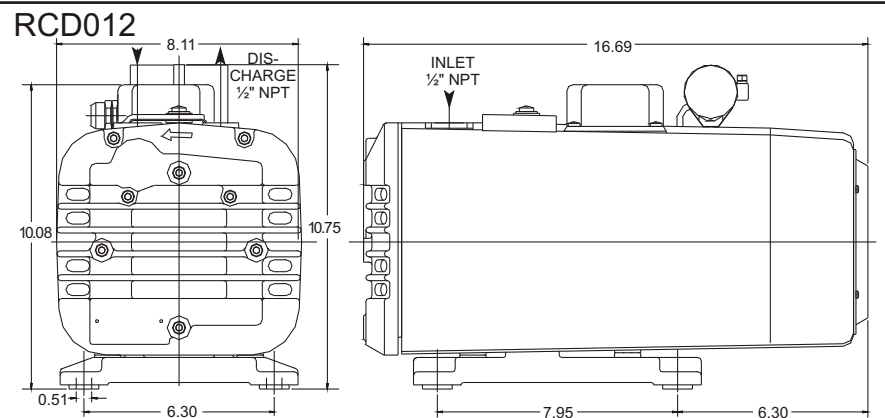
Performance characteristics

Displacement:	11.2CFM
Max. Pressure:	8.8/15psig
Motor:	1/1.2HP/60HzTEFC
Voltage:	110V/1phase 208/230/460V/3phase
Speed:	1800RPM
Noise level(at 3ft):	65dBA
Weight:	65Lbs
Inlet conn.:	½"NPT
Discharge conn.:	½"NPT

RCD012



RCD012



Information contained in this document is for reference only. Subject to change without notice.