

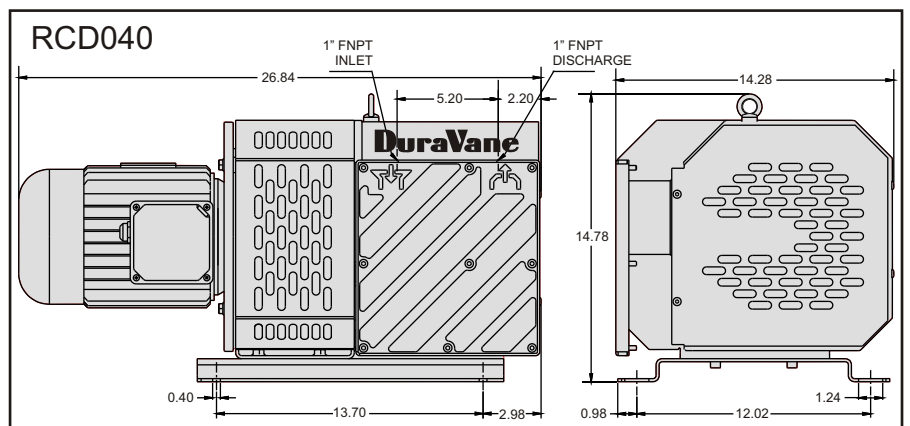
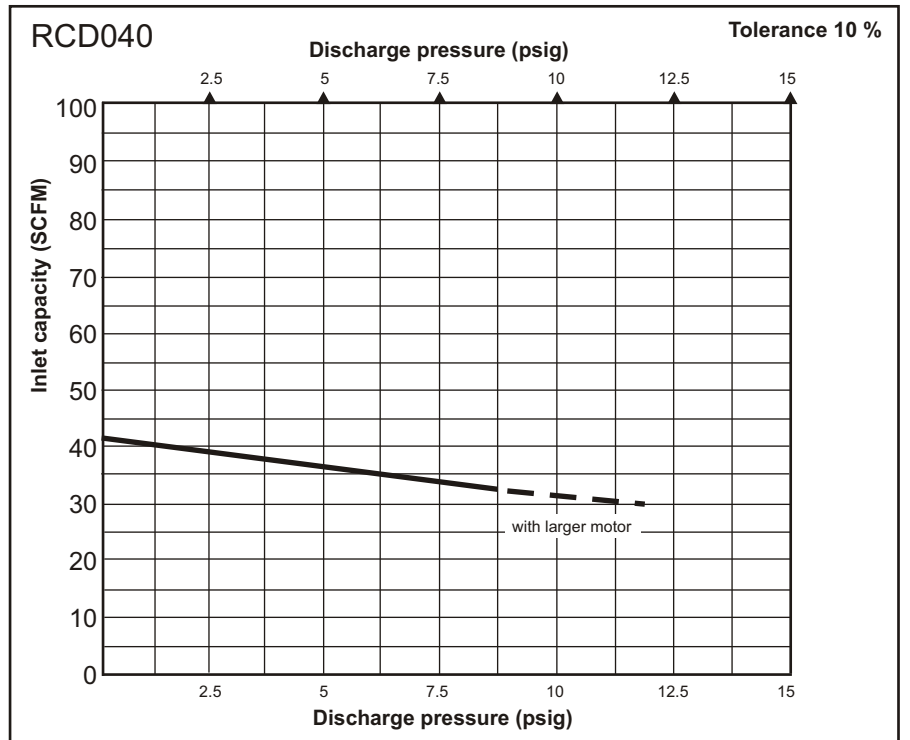
DuraVane oil-free rotary vane compressors are heavy-duty compact motor-mounted units, extremely reliable for many industrial applications. Efficient cooling is ensured by a powerful centrifugal fan.

- Fewer vanes than other oil-free rotary vane compressors.
- High-tech, self-lubricating graphite composite vane material.
- Longer vane life and less vane replacement.
- Heavy-duty construction.
- Compact design, small footprint.
- Low noise level.
- Air-cooled design.
- Direct drive.
- Simple to install.



Performance characteristics

Displacement: 41CFM
 Max. Pressure: 8.8/11.8psig
 Motor: 3.0/4.0HP/60HzTEFC
 Voltage: 208/230/460V/3phase
 Speed: 1800RPM
 Noise level(at 3ft): 72dBA
 Weight: 156lbs
 Inlet conn.: 1"NPT
 Discharge conn.: 1"NPT



Information contained in this document is for reference only. Subject to change without notice.