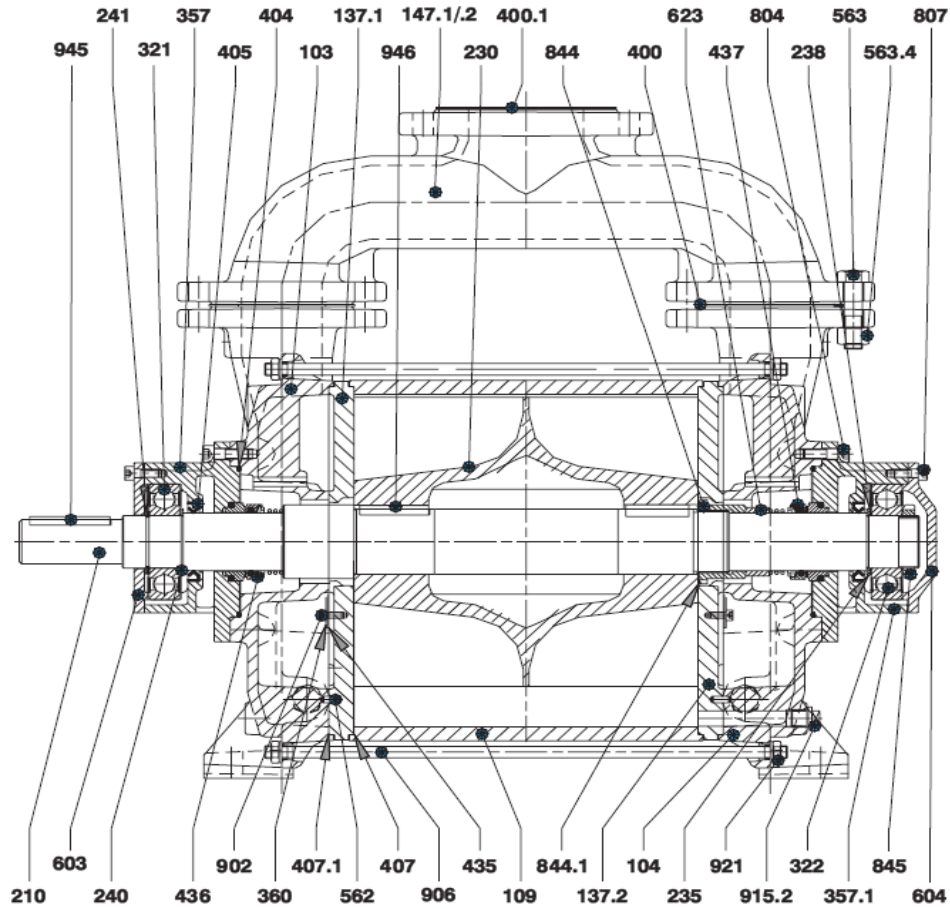




**LIQUID RING VACUUM PUMPS**

Cross Sectional Drawing  
TITAN Series Single-stage Monoblock  
Liquidring Vacuum Pump  
DV0450B-KA3 Rev A



DV0450B-KA3 Rev A



**LIQUID RING VACUUM PUMPS**

Spare parts lists

TITAN two-stage  
liquid ring vacuum pump  
DV0450B-KA3 Rev A

**Kits**

Item#	Part No.	Description	Material	Minor	Major	Qty
103	C005816	DE Cover				1
104	C005817	NDE Cover				1
109	C001071	Casing				1
137.1	C001061	DE Port Plate				1
137.2	C001063	NDE Port Plate				1
147.1-147.2	C001073	Manifold				2
210	C001733	Shaft				1
230	C001067	Impeller				1
235-240	6565-6250-000	Bearing Abutment (Shim Pack)			Included	2
241	3836-0471-000	Circlip			Included	1
321-322	1980180100	Bearing			Included	2
357-357.1	C001060	Bearing Housing				2
360	C001665	Valve Plate				2
400	3510-0250-000	Gasket			Included	4
404	5320-5313-000	O-ring		Included	Included	2
405	6200-0055-000	Lip Seal			Included	2
407	3500-0050-001	Liquid Gasket		Included	Included	2
435	P7390-2007-364	Variport Valve			Included	2
436	6220-0055-000	DE Mechanical Seal		Included	Included	1
437	6220-0055-000	NDE Mechanical Seal		Included	Included	1
562	C003193	Locating Pin				2
563	C002873	Screw				16
563.4	C003095	Nut				16
603	C001065	DE Bearing Cover				1
604	C001066	NDE Bearing Cover				1
623	6588-2007-888	Mechanical Seal Spacer			Included	1
804	C002992	Screw				8
807	C002968	Screw				6
844	4420-2007-887	Impeller Nut			Included	1
844.2	C003051	Screw				3
845	C003174	Bearing Nut			Included	1
902	C002884	Screw				4
906	C001740	Tie Rod				6
915.2	C003535	Plug				5
921	C003088	Nut				12
945	4610-2008-203	Coupling Key			Included	1
946	4610-2008-206	Impeller Key			Included	2
920	C003131	Washer				12
563.5	C003140	Washer				16
902.1	3830-0000-000	Washer			Included	4
	4700-2000-038	Minor Repair Kit (Seal Kit)				
	4700-1000-038	Major Repair Kit				

935 SOUTH WOODLAND AVENUE, MICHIGAN CITY, IN 46360-5672  
TOLL-FREE: 888-925-5444 TEL.: 219-861-0661 FAX: 219-861-0662  
Please visit our website: [www.dekkervacuum.com](http://www.dekkervacuum.com)

Pump no.

Reference

3/5/2009