

DuraVane lubricated rotary vane pumps are single-stage pumps with an integrated closed loop oil recirculation system.

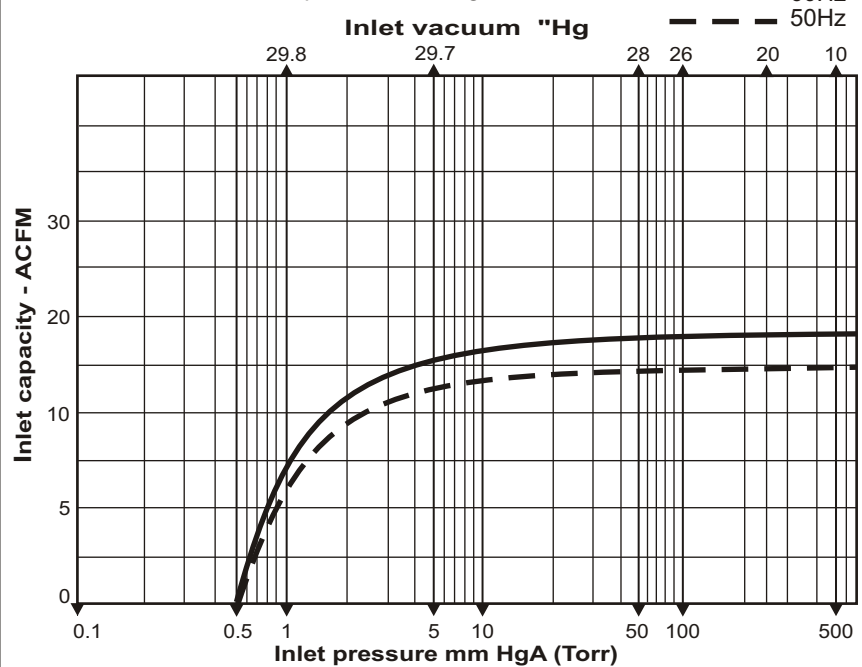
- Heavy duty construction.
- Compact design, small footprint.
- High-tech vane material provides long vane life.
- Gas ballast valve is standard.
- Low noise level.
- Low maintenance.
- Air-cooled design.
- Internally mounted inlet check valve.
- High efficiency multi-stage exhaust filter removes 99.9% of exhaust smoke.
- Direct drive.
- Simple to install.



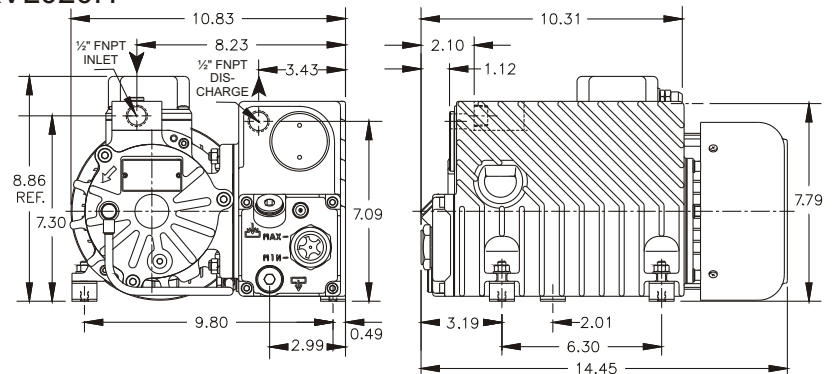
Performance characteristics	
Displacement:	19CFM
Final pressure:	0.5Torr
Motor 50Hz:	1HP TEFC
Motor 60Hz:	1.25HP TEFC
Voltage:	115/230V/1phase 208/230/460V/3phase
Speed:	1450/1800RPM
Noise level(at 3ft):	65dBA
Oil reservoir cap.:	1qt
Oil type:	Duratex 68
Weight:	55Lbs
Inlet conn.:	1/2"NPT
Discharge conn.:	1/2"NPT

RVL020H

Based on 29.92 inch Hg (1013 mbar) barometric pressure.
Inlet temperature 70° deg. F.



RVL020H



Information contained in this document is for reference only. Subject to change without notice.